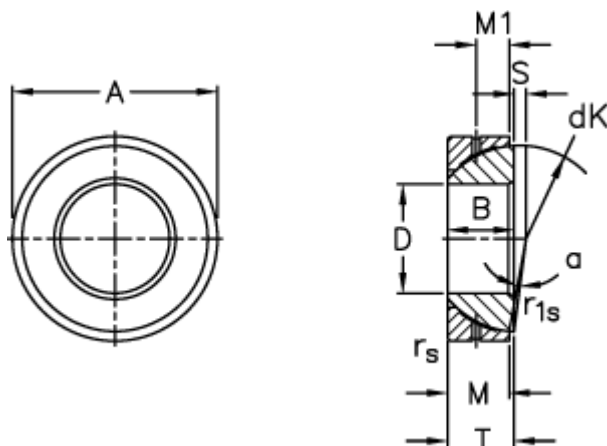


Article number: 03509105

Description: Fluro Rod end GE 105SX

Measures



| | | | |
|---------------------|----------------|---------------------|------------------|
| A | = 160 0 -0,025 | S | = 12.3 |
| B | = 35 | Static load C0 (kN) | = 2116 |
| D | = 105 0 -0,020 | T | = 35 +0,25 -0,60 |
| dK | = 148 | Tilt angle | = 2 |
| Dynamic load C (kN) | = 423 | Weight | = 2930 |
| M | = 32.5 | | |
| M1 | = 17.5 | | |
| rs, r1s min | = 2 | | |